

B1 Tabletop Wrapper



Compact and efficient wrapping solution



Efficient packaging

Up to 15 packages per minute, and three times faster than manual packaging.

Just select the program to run automatically.

Enhance brand value by providing a consistent and uniform packaging for your products.

Compact

Tabletop design requires minimal space allowing stores to maximize profits on retail area available.

A wide selection of consumables

Compatible with various types of wrapping films including PVC & PE, allowing for maximum cost savings.

Suitable for packages without trays or packages with various forms of tray shapes & sizes.

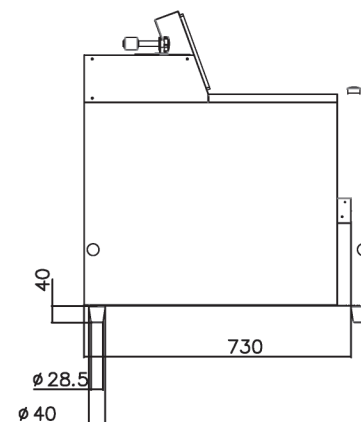
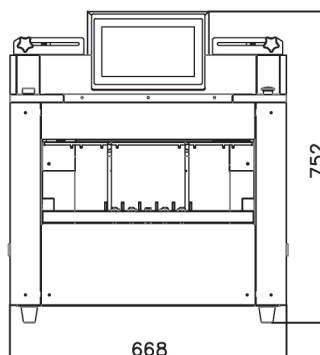
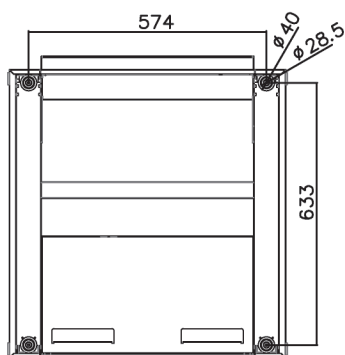
Packaging

- Speed: Up to 15 packages/min
- Package length: 80 - 280 mm
- Package width: 90 - 200 mm
- Package height: 10 - 150 mm
- Package weight: 100 - 3000 g
- Wrapping film width: 250 - 450 mm
- Maximum core diameter of wrapping film: 155 mm

Configuration

- Display: 10.2-inch TFT color touch screen (aspect ratio 16:9)
- Display resolution: 1024*600
- Power supply: 220 V/50 Hz
- Power: 900 W
- Operating temperature: 0 °C - 40 °C
- Operating humidity: 10 - 90% RH
- Body material: Stainless steel
- Dimension (L * W * H): 730 * 668 * 752 mm
- Weight: 120 kg

Dimensions



XCII 100 Pro PC scale



- Third-party software available
- Easy to clean display
- Easy to clean surface
- Easy to load print head
- Three-in-one printer (notes, labels and linerless papers)
- Printing paper width: up to 3 inches; 2-inch paper available
- Energy saving

SCII 100 scale



- Weighing, cashiering (POS), price tag printing
- Print label paper, cashier paper and linerless paper
- Label printing can be easily switched to cashier paper or linerless paper printing
- Display: Dot matrix LCD with orange backlight
- Configure film operation keyboard
- Provide multiple operation modes such as self-service and price tag printing, which can be switched at any time
- Chinese menu

In order to maximize your investment, we provide a multitude of after-sales service. This includes consultation, start-up and installation of the B1 Tabletop Wrapper as well as other equipment-related expertise. We aim to provide continuous availability for your investment.

Service modules

- Individually agreed service contracts
- Start-up including initial training and initial installation
- Optional 24/7 service contract
- Full support (spare parts, technical competence and on-site support)
- Large nationwide network of service experts who are quickly at your service and on-site
- A broad range of care and cleaning products
- Service hotline
- Customer training